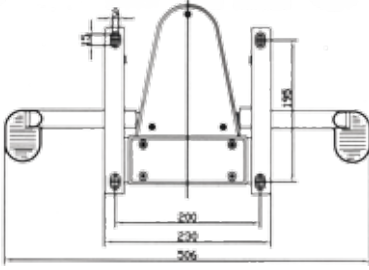
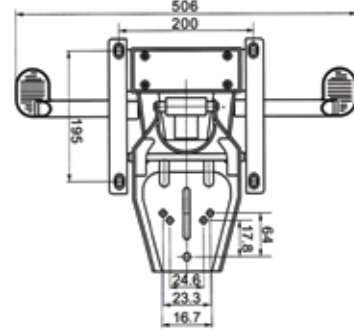




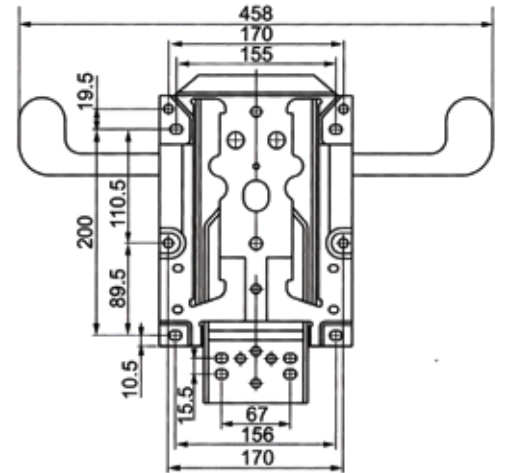
**verdoro**<sup>®</sup>  
ofis koltuk komponentleri



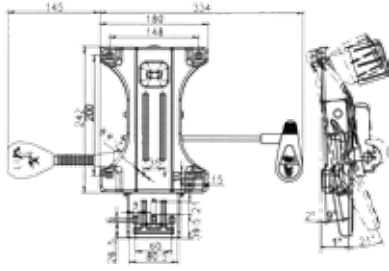
Yarasa Mekanizma



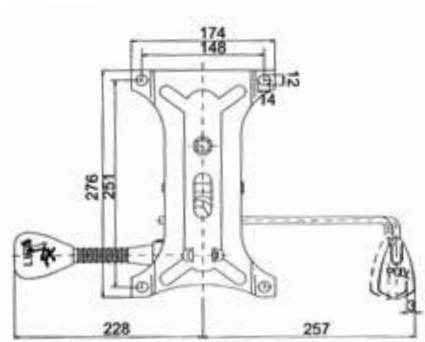
Yarasa Kuyruklu Mekanizma



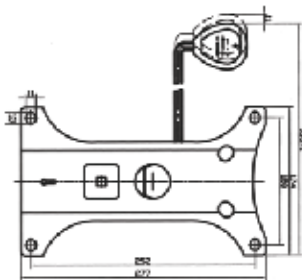
Senkron Kuyruklu Mekanizma



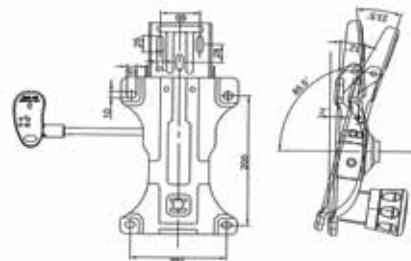
Çift Kollu Kuyruklu Tilt Mekanizma



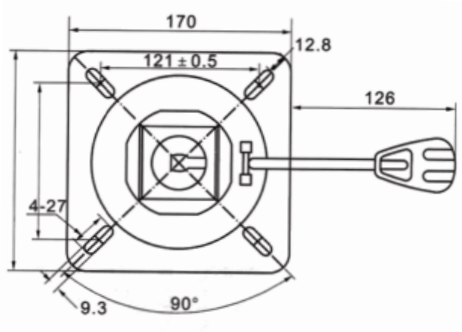
Çift Kollu Tilt Mekanizma



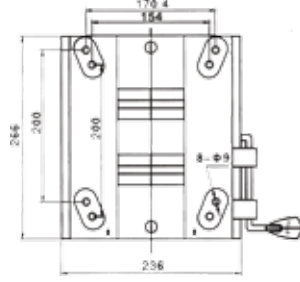
Tek Kollu Tilt Mekanizma



Tek Kollu Kuyruklu Mekanizma



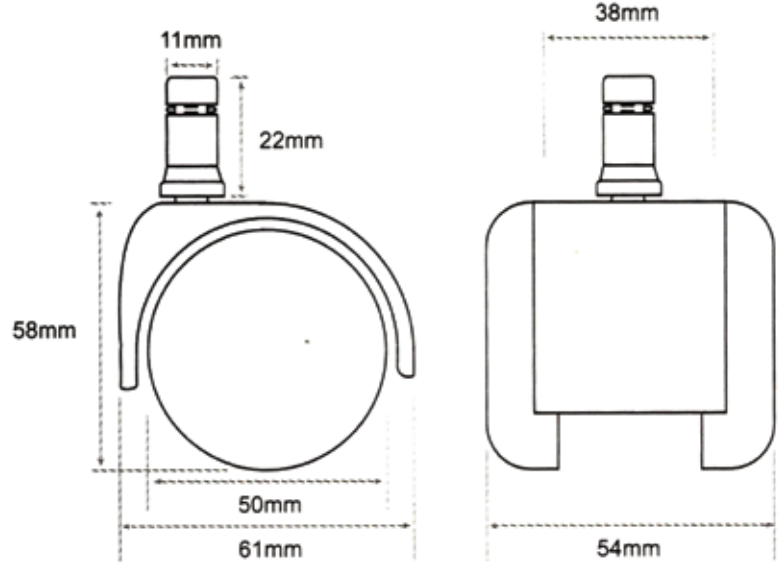
Tabure Mekanizma



Kızak Mekanizma



Yağ Bağlantı Mekanizma



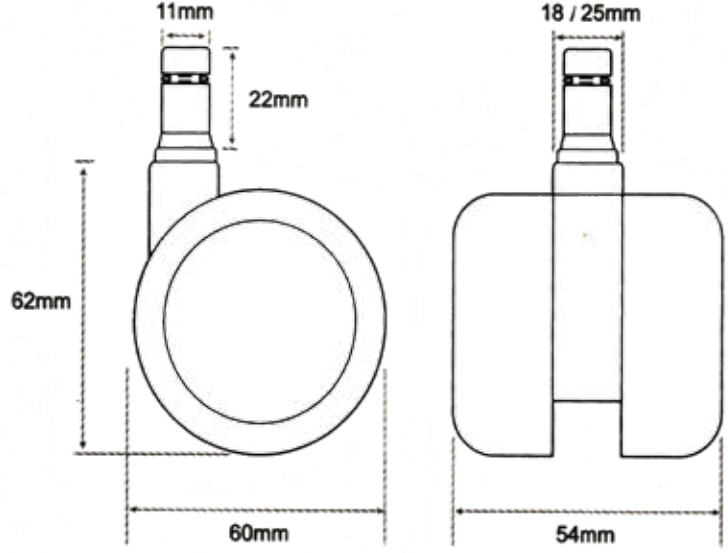
50 Ø Siyah Teker



50 Ø Krom Teker



Pingo



60 Ø Siyah Silikon Teker

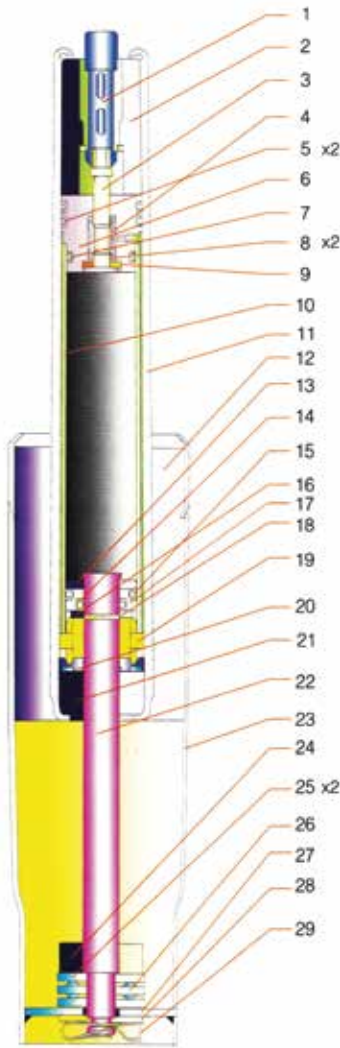


60 Ø Siyah Teker



60 Ø Krom Teker

No.	NAME	MATERIAL
1	BUTTON	POM
2	FRONT HOLDER	ABS
3	O/C PIN	S45C
4	INNER HOLDER	POM
5	"O" RING	NBR
6	CONTROL VALVE	Al6061
7	"O" RING	NBR
8	"O" RING	NBR
9	WASHER	A3
10	INNER PIPE	S20C
11	OUTER TUBE	S20C
12	BUSHING	POM
13	WASHER	A3
14	"O" RING	NBR
15	"O" RING	NBR
16	WASHER	A3
17	PISTON	Ny6
18	SPRING RING	Sk5
19	OPEN HOLDER	ABS
20	GAS SEAL	NBR
21	BEHIND HOLDER	ABS
22	PISTON ROD	S45C
23	STAND PIPE	Q195
24	CUSHISON RUBBER	NBR
25	BEARING WASHER	A3
26	BALL BEARING	PE
27	WASHER	A3
28	CLIP WASHER	A3
29	CLIP	SK5



Siyah Amortisör



Krom Amortisör



Konik Siyah Amortisör

Konik Krom Amortisör

Yönbulur Siyah

Yönbulur Krom

MODEL	L	B	V	X	Y	F2/N
Class3 60 mm crome	275	60	160	60	10	460
Class3 80 mm crome / black	305	80	175	60	10	440
Class3 100 mm crome / black	346	100	195	60	10	420
Class3 140 mm crome / black	413	135	225	60	10	400
Class3 200 mm crome / black	545	200	295	60	10	400
Class3 260 mm crome	830	260	505	60	10	400





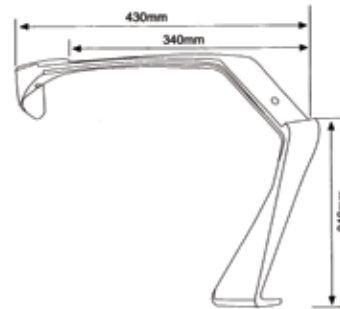
Aluminyum T Kol



Aluminyum Omega Kol



Aluminyum Z Kol



Aluminyum Kırık Kol



4 D Kol



2 D Kol



Sabit Kol Beyaz



Sabit Kol Siyah



Carisma Set



Star Set



Polo Set

[www.verdoro.com.tr](http://www.verdoro.com.tr)  
[info@verdoro.com.tr](mailto:info@verdoro.com.tr)

İ.O.S.B. Heskop San.ve Tic. Mrk. M1 Blok. No:1  
İkitelli/Başakşehir/İstanbul

0(212) 670 34 27  
0(212) 670 34 28